

PACO KPVS

THE BEST
EFFICIENCY
IN A SMALLER
FOOTPRINT

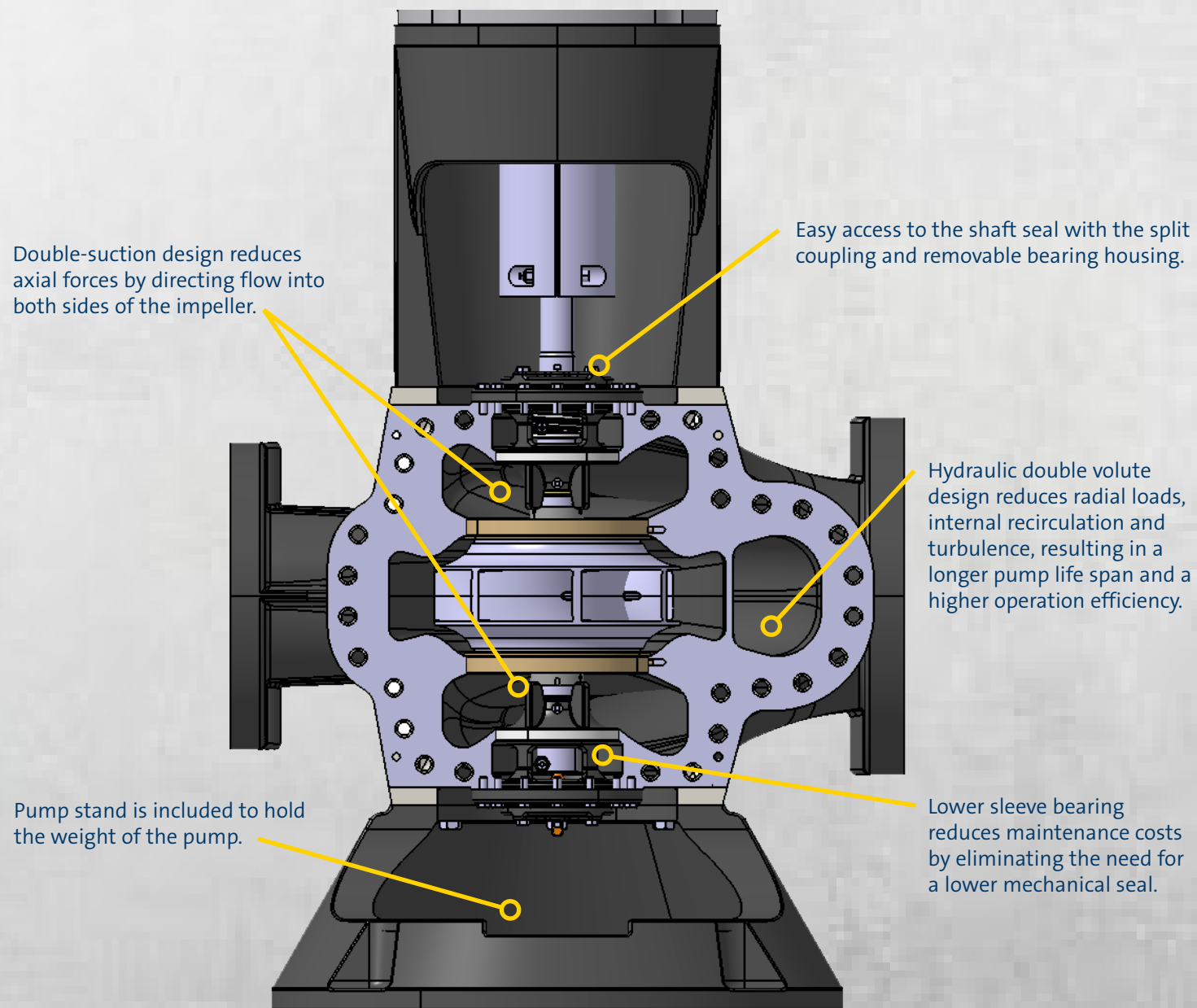


be
think
innovate

GRUNDFOS 

PACO KPVS

BEST SERVICABILITY OF ANY VERTICAL PUMP IN THE MARKET AND EXCEPTIONAL EFFICIENCY IN A SPACE SAVING DESIGN



FEATURES & BENEFITS

The new KPVS incorporates the best of all worlds – vertically mounted motor for reducing the mechanical space footprint, easy access to seal and internal components without ever needing to remove the motor, and no field alignment necessary.

Smaller footprint and smaller piping requirements

A KPVS 8015 will cover the same range as a 10" inline pump. The flange-to-flange dimensions on the KPVS 8015 is 38 inches. The equivalent flange-to-flange dimension for the vertical inline is 48 inches. The KPVS 8015 is a 10 inch suction and a 8 inch discharge, meaning that the discharge piping is one-size smaller than the equivalent vertical inline.

Between bearing design

The KPVS is still a splitcase at heart, with all the strength of the between bearing design. The double volute design reduces loads and leads to better overall performance.

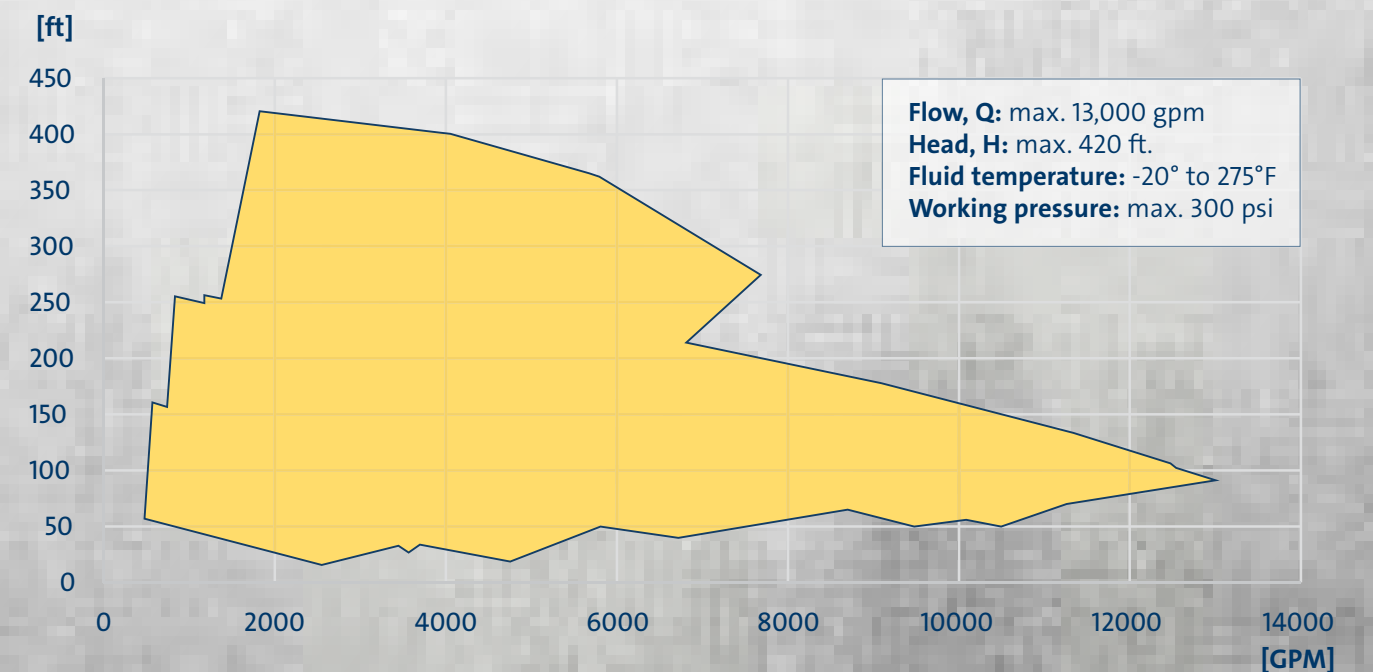
Improved maintenance

Never a need to remove the motor – even when replacing the impeller or entire rotating assembly. How do you get access to the entire rotating assembly of the KPVS? The motor will never have to be removed, the split case housing can be removed without ever having to break the motor free.



Flange to flange footprint of KPVS is less than comparable vertical inline pumps, meaning the smallest footprint in the space.

PERFORMANCE RANGE



GRUNDFOS TECHNICAL INSTITUTE

The Grundfos Technical Institute (GTI) offers busy professionals the opportunity to maintain their continuing education credits through a wide variety of flexible learning avenues.

Visit www.grundfos.us/training, to choose from a number of education possibilities that suit your needs and schedule, including face-to-face classes, group webinars and self-directed online courses.

GRUNDFOS 



PACO®



GRUNDFOS COMMERCIAL BUILDINGS

Grundfos and its legacy brands provide a comprehensive range of customizable solutions and a holistic approach to commercial buildings. Grundfos has served North America for more than 40 years, flourishing from one small factory in Fresno, Calif., to 17 manufacturing, logistics, sales and service facilities throughout the region. Together, Grundfos, Paco, Peerless, Yeomans, Sewer Chewer and Morris provide a complete portfolio of products for the North American commercial buildings market.