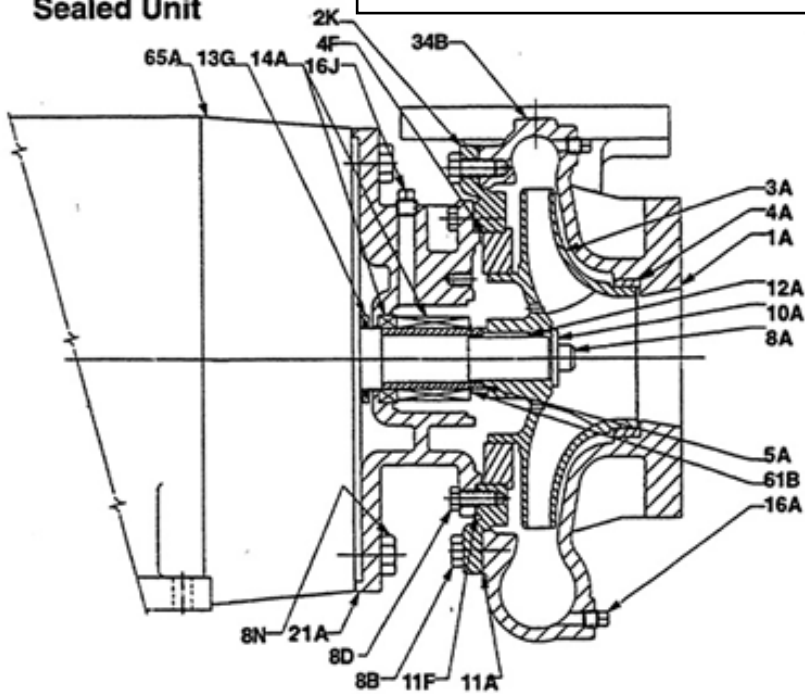
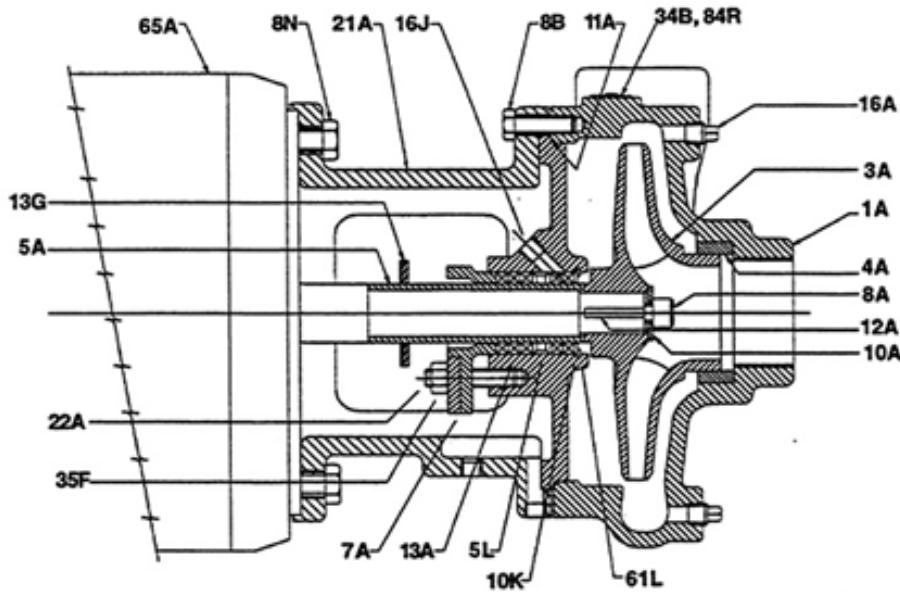


PACO Type LC Pumps
A division of Grundfos Pump Co.

Sealed Unit



Packed Unit



Typical Flanged & Threaded Pumps
With Mechanical Seals or Packing.

Key No.	Description
1A	Casing
2K	Backplate
3A	Impeller
4A	Front Case Wear Ring
4F	Rear Case Wear Ring
5A	Shaft Sleeve
*5L	Lantern Ring
*7A	Packing Gland
8A	Impeller Capscrew
8B	Capscrew, Casing
8D	Capscrew, Bracket
8N	Capscrew, Motor
10A	Washer, Impeller
*10K	Washer, Packing
11A	Gasket, Casing
11F	Gasket, Backplate
12A	Key
*13A	Packing
13G	Slinger
14A	Mechanical Seal
16A	Plug, Drain
16J	Plug, Stuffing Box
21A	Bracket
*22A	Stud, Packing Gland
34B	Nameplate
*35F	Nut, Packing Gland
61B	Snap Ring
*61L	Retaining Ring
65A	Motor
84R	Set Screws

* Packed Pumps Only

EXPLANATION OF PUMP CATALOG
(Refer to Pump Nameplate)

XX	—	XXXXX	—	XXXXXX
Product Code		Model Number		Construction Code

NOTE: This Replacement Parts Guide is valid for all Grundfos CBS products beginning with product codes 10, 11 and 20 only.

- Product Code 10** = Close coupled End Suction, type LC
- Product Code 11** = Closed Coupled Vertical Mount, type LCV
- Product Code 20** = Framed Mounted End Suction, type LF

KIT COMPONENTS

<p>Impeller Kit: Impeller Volute Gasket Backplate Gasket Impeller Cap Screw Impeller Washer Impeller Key Impeller Nut Locktite</p>	<p>Seal Kit: Mechanical Seal Volute Gasket Backplate Gasket Seal Cap Gasket Impeller Cap Screw Impeller Washer Impeller Key Impeller Nut Locktite</p>	<p>Packing Kit: Packing Seal Volute Gasket Backplate Gasket Lantern Ring Impeller Cap Screw Impeller Washer Impeller Key Impeller Nut</p>
<p>Wear Ring Kit: Wear Rings</p>	<p>Bearing Frame Assembly</p>	<p>Gland Kit: Packing Gland Studs Nuts Bolts Washers Retaining Ring</p>
<p>Sleeves: (Non-Kitted) Bronze Bronze, Ceramic Coated Stainless Steel</p>	<p>Bearing Frame Kit: Ball Bearings Moisture Seals Retaining Rings</p>	<p>Hardware Kit: Cap Screws</p>
<p>Adapter Shafts: 303 Stainless Steel Adapter Shaft Key Rollpin</p>	<p>Shaft Kit: Shaft Slinger Keys</p>	<p>Gaskets: (Non-Kitted)</p>

NOTE: Kits may contain all parts listed. They are individually selected for each pump and its construction.

Kits may contain gaskets wherever gasket replacement is indicated, as noted above. Should "individual" gaskets be required, see page 8.

NOTE: Seal/Packing Kits are always recommended as spare parts.