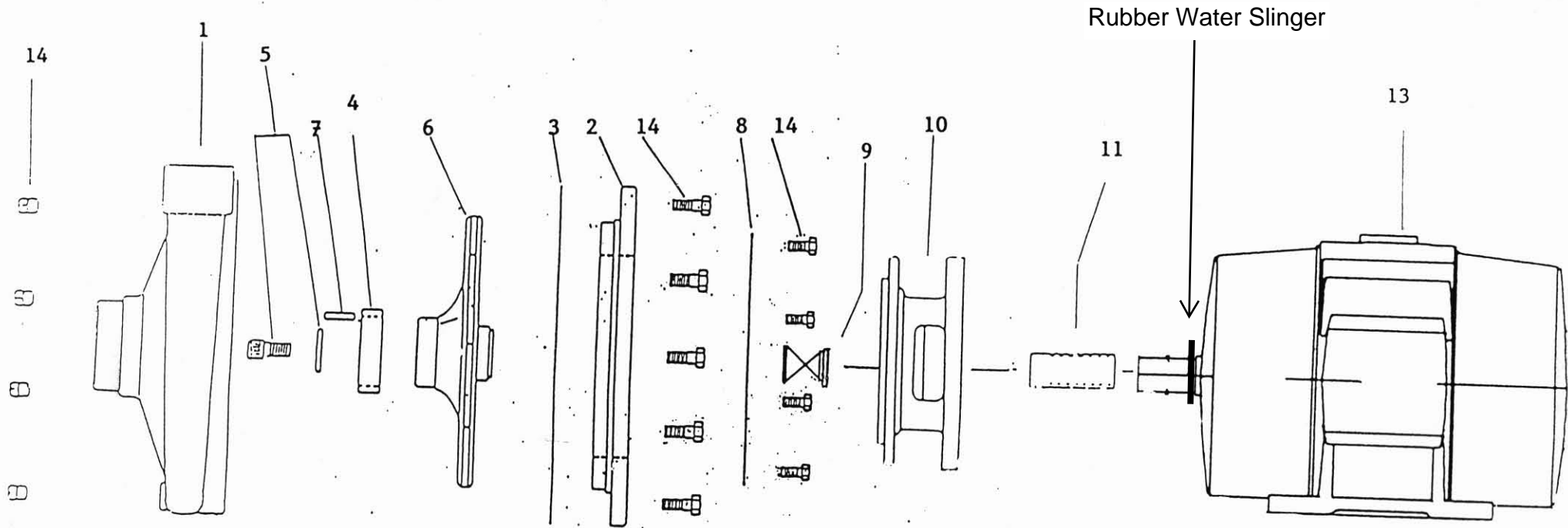


PACO PUMPS



* All pumps 2-1/2" Discharge Size and Larger are Flanged Connections, Sizes Under 2-1/2" Discharge are Threaded Connections.

Type LC - Close Coupled End Suction Pumps

Parts Breakdown For **PACO** Close Coupled Pumps

<i>ITEM #</i>	<i>PARTS DESCRIPTION</i>
1	Volute Casing
2	Backplate
3	Volute Gasket
4	Volute Case Wear Ring
5	316 S.S. Impeller Hardware
6	Impeller
7	Impeller Key
8	Backplate O-Ring / Gasket
9	Shaft Seal
10	Shaft Seal Housing (Motor Bracket)
11	Shaft Sleeve
13	Motor
14	Steel Hardware

Replacement Part Kits Components:

Seal Kit
 Mechanical Seal
 Volute Gasket
 Backplate O-Ring / Gasket
 Impeller Hardware

Wear Ring Kit
 Wear Ring

Impeller Kit
 Impeller
 Volute Gasket
 Backplate O-Ring / Gasket
 Impeller Hardware

**** All Parts are stock @ SPE, Norcross Facility.**