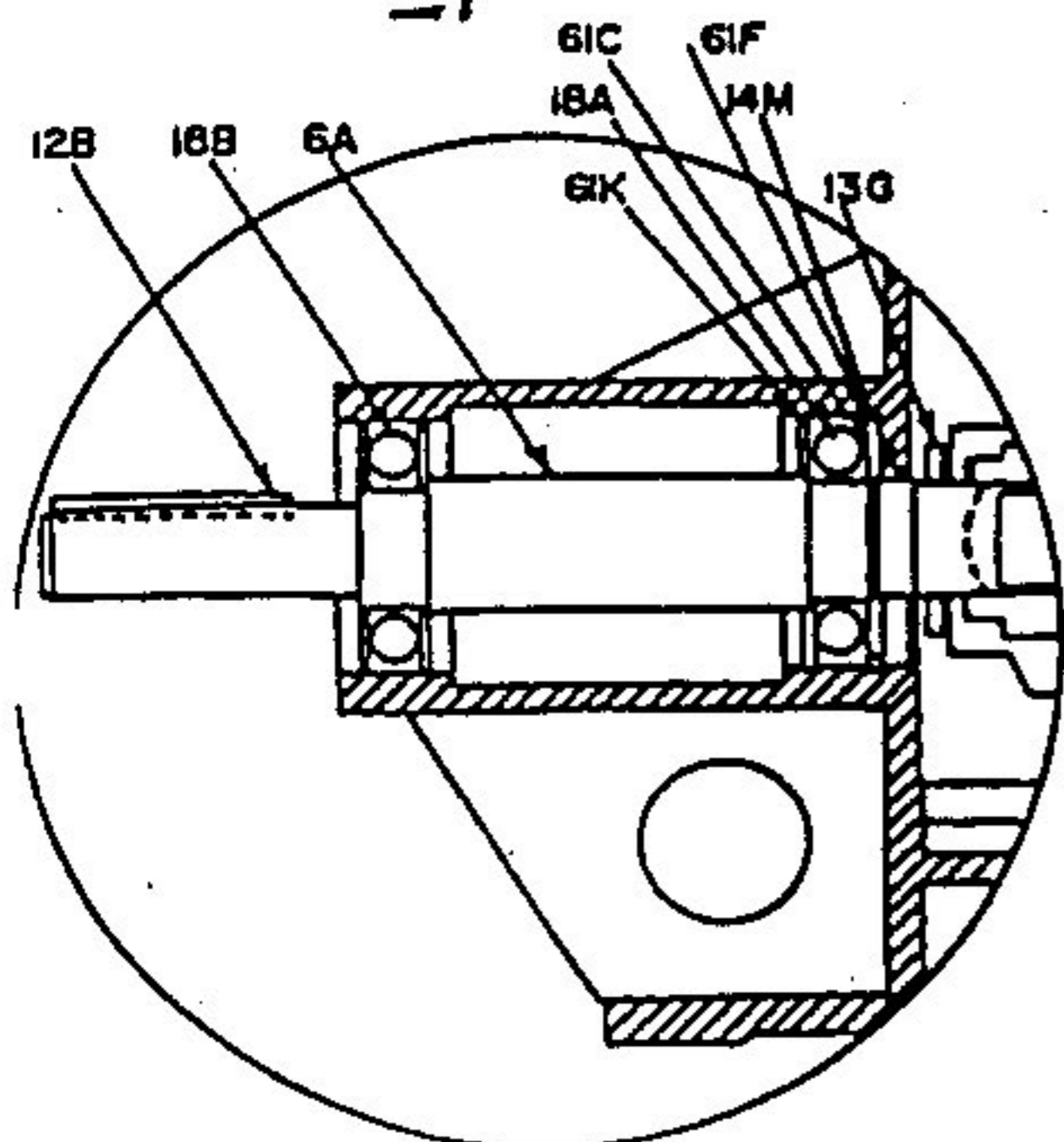


38-1595-5



FRAME MOUNTED PUMP	
Part No.	Description
1A	Casing
2A	Cover
3A	First Stage Impeller
3F	Second Stage Impeller
4A	Case Wear Ring
4B	Case Wear Ring
8A	Impeller Screw
8N	Capscrew
10A	Impeller Washer
11A	Gasket
11F	Gasket
12A	Key
12E	Key
13G	Slinger
14A	Mechanical Seal
16A	Pipe Plug
16J	Pipe Plug
20A	Bearing Frame
21A	Bracket
22C	Studs
35C	Nuts
61B	Retaining Ring
34H	Shaft Sleeve

PEDESTAL FRAME PARTS:

- 6A Shaft
- 12B Shaft Key
- 14M Moisture Seal
- 18A,B. Ball Bearings
- 61C Shaft Retaining Ring
- 61F Bearing Housing Retaining Ring
- 61K Bearing Retaining Ring

# PACO

*Two Stage End Suction Pumps*